

Lites F200 II “white series”



Lites F 200 II is the evolution of the F200 Fresnel spotlight. With this new version, the luminous output has been increased, the software updated, and the power upgraded from 200 W to 240 W. The beam angle can now be adjusted from 16° to 68° via a helical screw mechanism. It is available with high-color-rendering LEDs at color temperatures of 3000°K, 4000°K, and 5600°K. The fixture is equipped with power CON IN/OUT connectors, DMX connectors, and a 4-button display. It can be controlled directly via DMX and RDM, is flicker-free, features a 16-bit adjustable dimmer, and has silent fans with the option to adjust their speed or completely stop them. Made in Italy.



General Specifications:

- LED source: available LED color temperatures 3000°K; 4000°K; 5600°K (to be specified at the time of order)
- COB LED
- CRI: 97 at any color temperature
- LED lifetime: L80 (80% output) 50,000 hours
- Dimmer: 8- or 16-bit, 4 selectable curves (Quad, Quad2, Scur, Line)
- Flicker-free control for cameras / frequency range from 1 kHz to 10 kHz
- Smooth Dimming: Sfast, Fast, Med, Slow
- Synchronized electronic strobe: 0 to 28 Hz
- Modes: 5 DMX modes (1 ch, 2 ch, 3 ch, 4 ch, 5 ch)
- RDM (Remote Device Management)
- Fan: controllable with four speeds (LOW, MEDL, MEDH, AUT), noise level from 12 dB to 34 dB
- Display with four buttons

Electrical specifications:

- Power supply: 100–240 V ~ 50/60 Hz, auto-setting
- Power consumption: 240 W, $\cos\phi$ 0.98
- Power connection: Neutrik Power connectors (IN and OUT)
- Signal connectors: Neutrik 5-pin XLR (IN and OUT)
- Firmware update: via DMX connectors

Compliance:

- Compliant with applicable standards

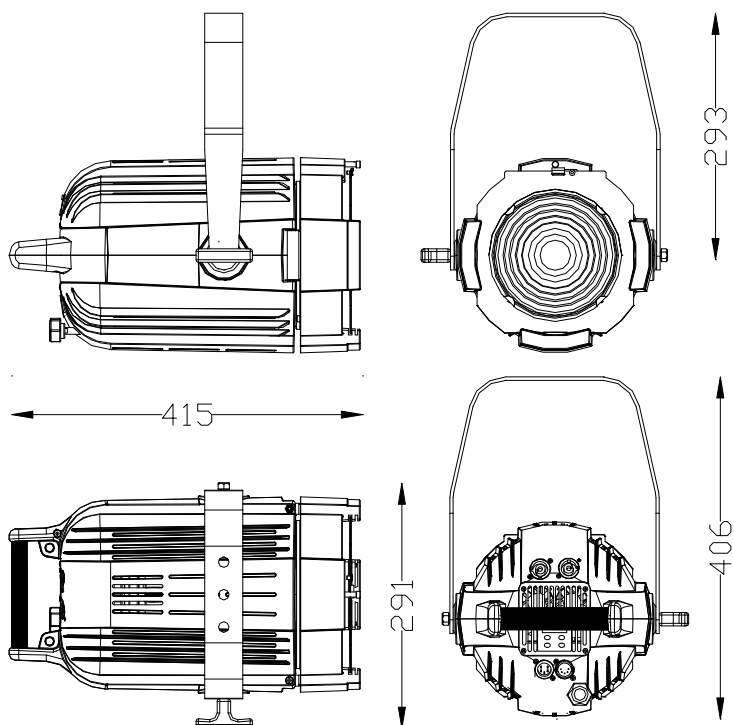


Thermal specifications:

- (Ta): -10 °C to +35 °C
- Temperature sensor on LED
- Temperature sensor on driver board

Dimensional specifications:

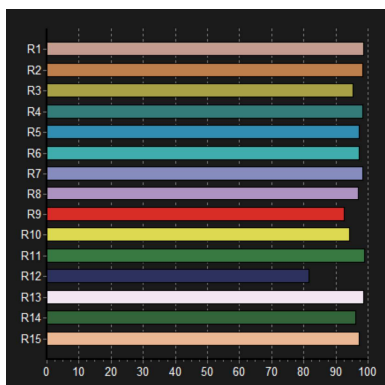
- See drawing
- Ø150 mm glass Fresnel lens
- IP20 protection rating
- Die-cast aluminum housing
- Gel frame dimensions: 185 x 195 mm
- Locking system with ergonomic T-handle
- Net weight: 7.5 kg
- Weight with packaging: 9 kg
- Packaging volume: 0.0512 m³



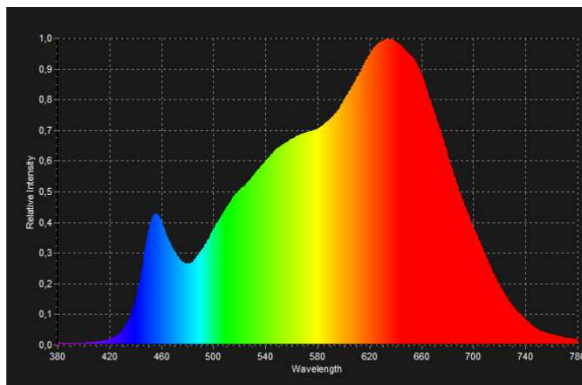
Photometric data LED 3000°K CRI 97

Indicative measurements taken at the center with the fixture powered on for 30 minutes at an ambient temperature of 25 °C.

	Distance m	4 m	6 m	8 m	10 m	12 m	14 m
Zoom spot 16°	Lux	4.513	2.006	1.128	722	501	368
	Diameter ø m	1,01	1,51	2,02	2,52	3,03	3,53
Zoom flood 68°	Lux	1.055	469	264	169	117	86
	Diameter ø m	4,73	7,09	9,46	11,8	14,19	16,56



White 3000° CRI 97

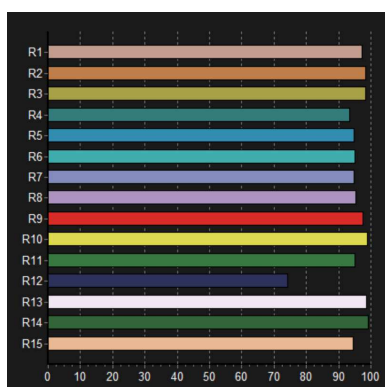


White 3000° Curve

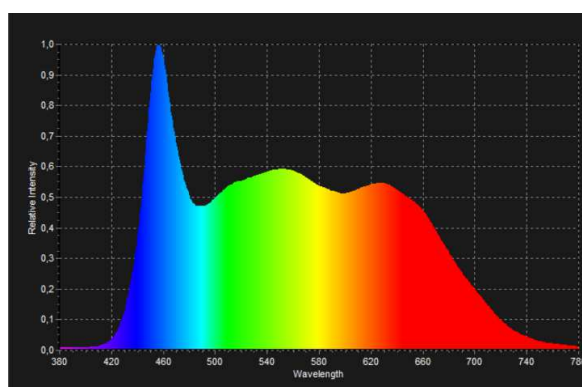
Photometric data LED 5600°K CRI 97

Indicative measurements taken at the center with the fixture powered on for 30 minutes at an ambient temperature of 25 °C.

	Distance m	4 m	6 m	8 m	10 m	12 m	14 m
Zoom spot 16°	Lux	5.016	2.229	1.254	803	557	409
	Diameter ø m	1,01	1,51	2,02	2,52	3,03	3,53
Zoom flood 68°	Lux	1.172	521	293	188	130	96
	Diameter ø m	4,73	7,09	9,46	11,8	14,19	16,56



White 5600° CRI 97



White 5600° Curve

The information contained in this document has been carefully prepared and checked. However, no responsibility is assumed for any inaccuracies. Lites srl reserves the right to make changes or functional modifications at any time without prior notice.