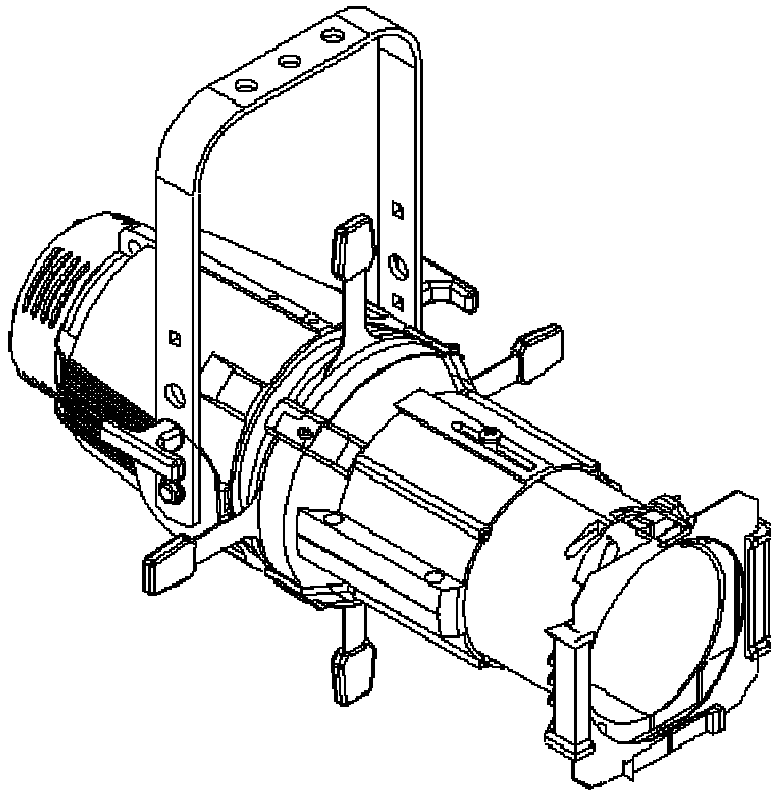


# Lites

## PROFILE LED C5 COLOUR

**Owner's and service manual**



**Read this manual throughout and carefully follow all the instructions contained. File this manual for future perusals**

**It is essential to read and follow guidelines and other information contained in this manual to ensure correct installation, service and full operations of the HPLED**

**All operations must be accomplished, handled and carried out by qualified personnel only**

**NOT COMPLYNIG WITH GIVEN NOTICE WILL VOID WARRANTY AND WILL TOTALLY DISCHARGE THE MANUFACTURER FROM ANY RESPONSABILITY**

[www.litesrsl.com](http://www.litesrsl.com)

## Unpacking

Unpack the carton and gently remove Lites Profile C5 from the box. Ensure all parts and components of the Lites Profile C5 received are undamaged.

In the event the Lites Profile C5 shows any damage, do not use it and contact immediately your transporter as well as your seller.

Items in the carton consist of:

- Lites Profile C5 luminaire
- Colour frame
- Blue Neutrik PowerCon connector
- This owner's and service manual



### **Safety information for the use of the Lites Profile C5 and its periodical maintenance**

- Lites Profile C5 is for professional use only and NEVER for domestic use.
- Users must scrupulously comply with manufacturer's guideline that follows; any other use in contrast with the provided information will void warranty and will discharge the manufacturer from any legal responsibility
- Never use Lites Profile C5 on any flammable surfaces.
- Minimum distance from any flammable source is of 0.25m.
- Minimum throw distance from illuminated surface: 1m.
- Installation of the unit(s) must be secured with adequate clamps, safety cords, nuts and bolts to bear twice the weight of the whole unit(s)
- Always power Lites Profile C5 to safety circuit breakers. Lites Profile C5 MUST NOT and CAN NOT be operated via Phase Control Dimmer.
- Install Lites Profile C5 in ventilated ambient which temperature must not exceed + 35°C (+ 95° F)
- Caution: when in operation some outer body-parts of the Lites Profile C5 can reach temperatures of up to + 60°C (+ 140° F)
- Lites Profile C5 must be fitted with protection shields (Lenses)
- Always disconnect power, (always check twice that power is off) before Servicing/Operating the unit.
- Lites Profile C5 is rated Class I
- Protection rating IP20
- Earth connection is MANDATORY!
- LED core must never be touched in any way as it may impair its use.
- An essential and periodically throughout cleaning of the Lites Profile C5 is recommended. This practice avoids that layers of dust and other impurity put at risk and reduce the correct operation of the unit. Lenses must be cleaned; remove layers of dust that may impede and or reduce the passage of the light through the lenses. The correct and periodically maintenance keeps also fans and vents clean, this practice ensures the best conditions and performance of the Lites Profile C5. Never touch the yellow LED core in any way nor use solvents as this can irremediably damage the LED. Protection shields (lenses) if worn out, must be replaced with new ones



### **CE APPROVALS**

The Lites Profile C5 products to which this manual refers to, complies with European directive pursuant to:

2014/35/EU safety of electrical equipment supplied at low voltage (LVD)

2014/30/EU Electromagnetic compatibility (EMC)

2011/65/EU Restriction of the use of certain hazardous substances (RoHS)

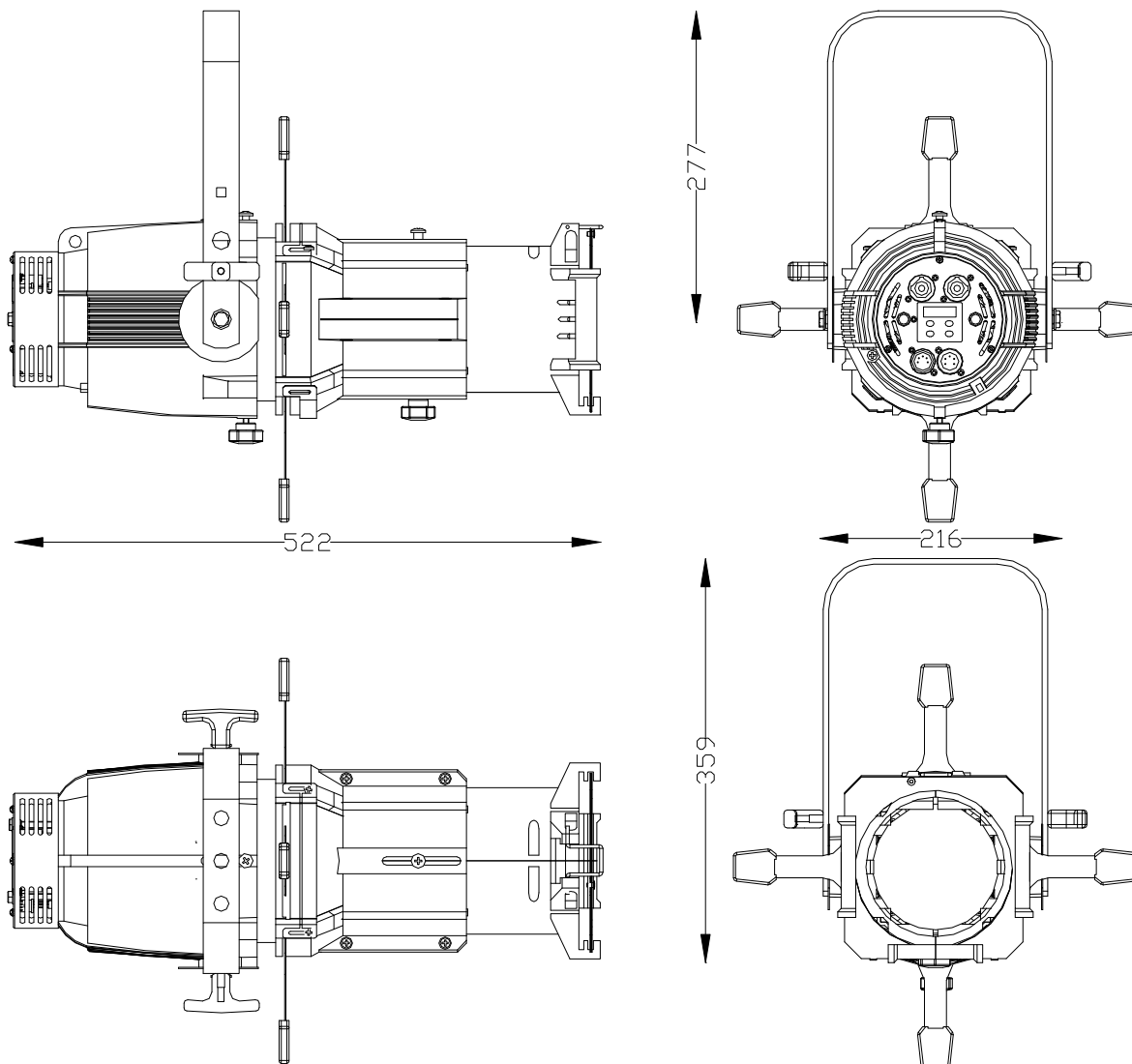
### **WARRANTY**

A 12-month warranty is granted on the Lites Profile C5 from its purchase's date. Warranty covers fabrication defects only, unit is not replaced but will be 100% fixed. Lites Profile C5 must be handled and used by qualified people, as if not, it will void the warranty. Warranty is also voided if qualified personnel and users do not and have not handled the Lites Profile C5 properly. Any improper and unauthorised use, such modification(s) or misapplication of the unit will also void the warranty of the product(s). Silver colour label showing technical data and serial number, if removed or if data are altered or tampered to change specs or render details illegible, will also immediately void the warranty.

## Technical specifications

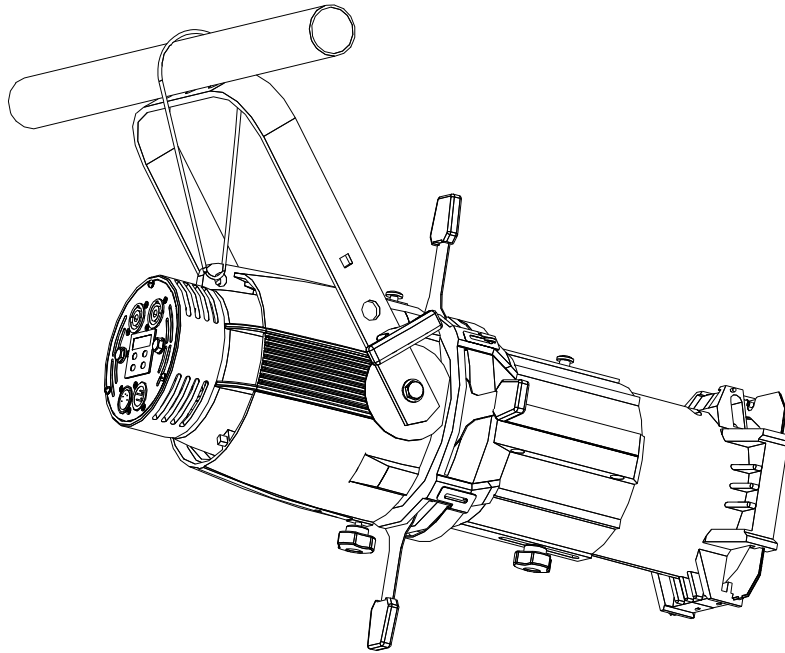
Power Supply	100-240	V~ 50/60Hz
Maximum power consumption	170W	
cos Ø	0,98	
Stand-by power consumption	5W	
Minimum ambient temperature	-10°C	
Maximum ambient temperature	35°C	
LED Colour RGBWA:	Red;green;blu;white;amber;	
Colour frame dimensions:	160x160 mm	
Aluminium die-caste body to maximize heat dissipation		
LED Life	(see Manufacturers ' specifications)	
Weight	7,5 Kg	
IP Rating	20	
Working position	Any	
Power connectors	IN & OUT Neutrik PowerCon	
Data connectors	IN & OUT XRL5	
Data protocols	DMX 512; RDM ready	
User interface	4-digit display and 4 buttons	
Manual operation:	Users must operate via buttons provided on the display	
Fan control:	Fan speed adjustment	
Control of LED frequency:	Selection of LED frequency refresh	
2 Dimming curves control:	Selection of two dimming curves control	
accessories:	Iris diaphragm; Gobo holder (size B Ø 86 mm, image Ø 66mm)	

**CE** Compliant Dimensions (see) picture)



**!** Lites Profile C5 installation

Lites Profile C5 is delivered with a robust yoke that hosts 3 x 12 mm mounting holes. The use of an adequate G-clamp to sustain at least twice the weight of the Lites Profile C5 (Lites Profile C5 weighs 7,5 kg) and/or M10 screw is mandatory. The use of safety chain(s) to sustain twice the weight of the Lites Profile C5 is also mandatory; the safety chain adds more protections and safety to users and third parties. Eye-lid for the safety chain is provided on the Lites Profile C5. The unit can be installed in any position (See Fig)



**⚠ Connection to mains**

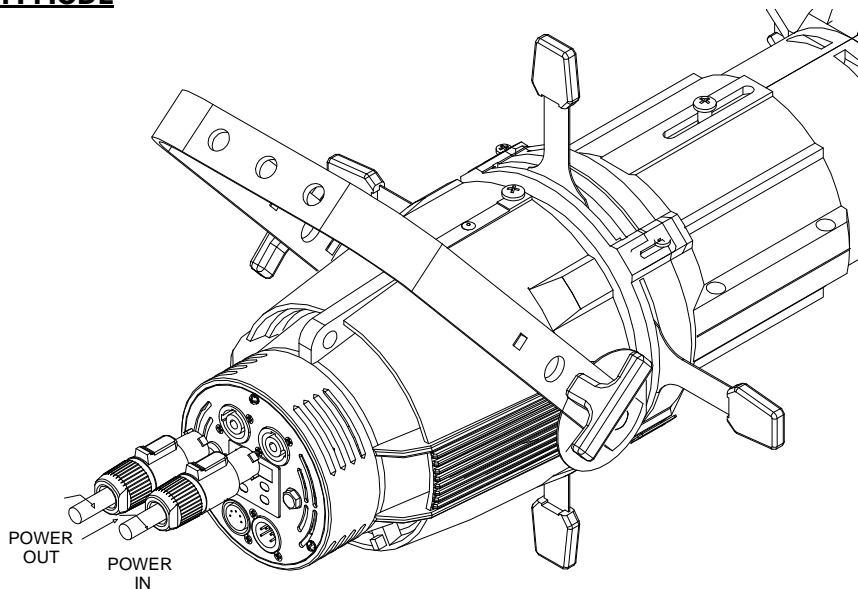
**WARNING! Installation(s) must be accomplished, handled and carried out by qualified personnel only and must comply & meet with all norms in force in the installation's country**

Lites Profile C5 is supplied with a free Blue Neutrik PowerCon plug that must be wired using a 3x1.5mm<sup>2</sup> lead  
Additional specifications include:

- Operating Voltage: 300/500V
- Test Voltage: 2KV
- Operating Temperature: -10°C / +35°C (- 14° F / +90° F)

Connect blue wire to N terminal, brown wire to L terminal and Yellow/Green wire to earth terminal. Ensure to connect to safety circuit breakers at all times. When connected to 230VAC, daisy chain must not exceed the quantity of 10 units and 5 units when connected to 110VAC. Maximum daisy chain cable length: 20m.

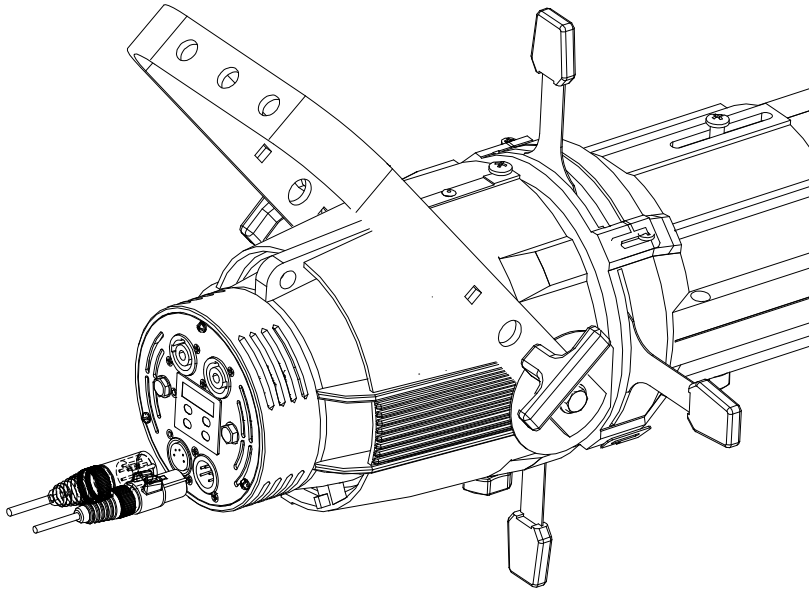
**⚠ WARNING: NEVER CONNECT LITES PROFILE C5 ENGINE TO ANGLE PHASE DIMMER PACK NOR TO NON- DIM MODE**



**⚠ Signal control connection**

Lites Profile C5 can be operated via either DMX512A and or RDM ready Protocols. For Daisy chain DMX line use a-2 lead wire plus shield.

**Important note: when DMX is available a red dot will illuminate on the right hand of the display. When red dot is off no DMX signal is available.**



Pin	Description
1	GND
2	DMX-
3	DMX+
4	Not connected
5	Not connected

**RDM – Remote Device Management**

RDM Controller allows for remote standard operations  
RDM default options include:

Discovery mode: RDM is active when controller detects this mode; the device reports the presence of the Lites Profile C5 by giving a flash of light (Controller sets the device to a listing to read: settings, DMX address, personality settings, i.e. DMX mode including all the above mentioned DMX values)

ON/OFF "Identify": This mode is to identify the manufacturer's device (Lites srl) -Flash of light is to confirm selection -

Model information (HPLED-BUCK)

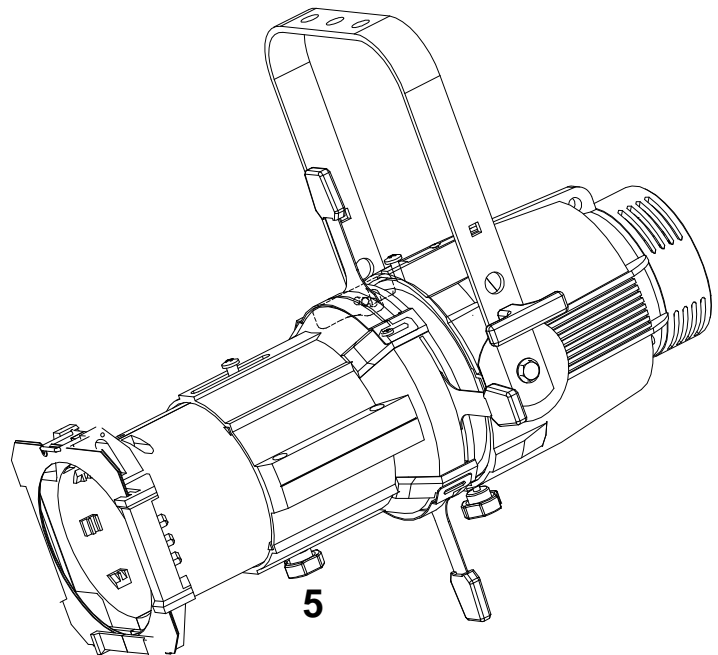
Software version information (HPLED-BUCK v.x.xx)

Mode to reveal temperatures of the LED and of the driver

Mode to reveal hour-meters of the LED and of the device

**Focus**

Loosen knob 5 than adjust optics to focus light projected



## Shutter blades

There are 4 shutter blades, to shape patterns

## Installations of the accessories

### Gel frame

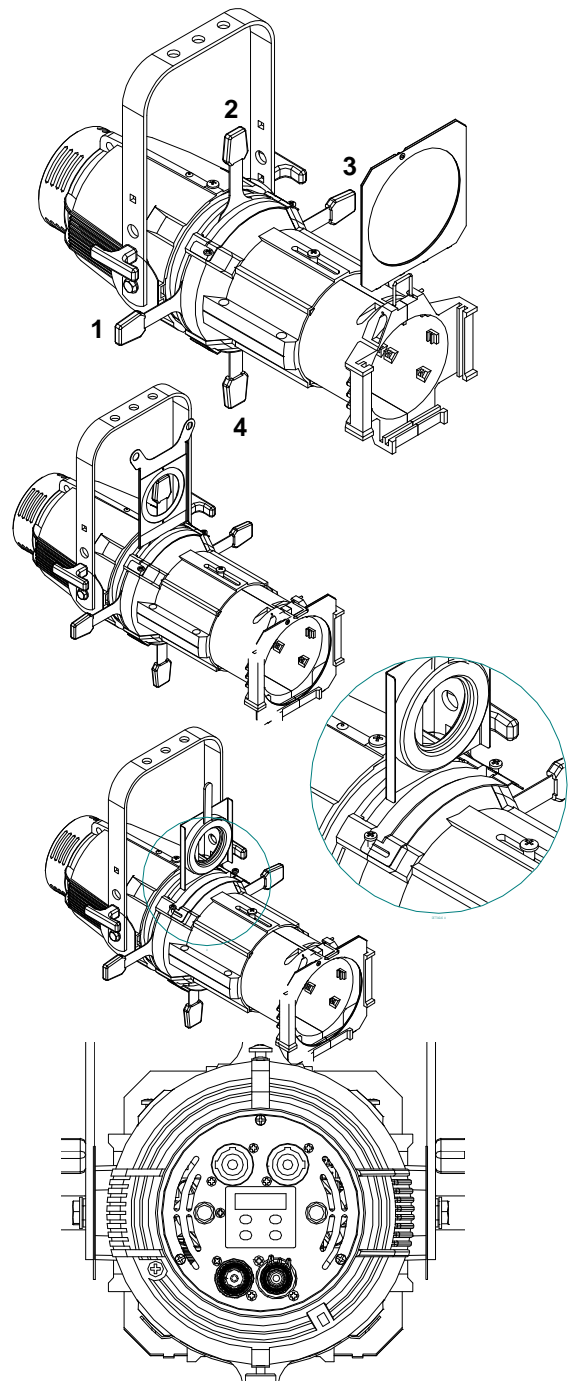
Lites Profile C5 is delivered with a standard 160x160mm colour frame. The LED source used on Lites Profile C5 allows the use of colour filters that cannot be used with high wattage tungsten lamps. Ensure that accessories when installed on the Lites Profile C5 are securely fitted in the gates and that are engaged and secured by the spring lock provided. (See figure)

### Gobo holder

Standard gobo holder (not included) can be used to house gobos 'size B' (Ø 86 mm, Ø 66 mm). Ensure gobo holder is securely engaged in its gate so to avoid injuries to third parties in case this accessory comes out of its place

### Iris diaphragm

Diameter of the projected image maybe changed in sizes with the use of an iris diaphragm (not included). To set Iris into its housing loosen the two M4 screws and move the bulkhead (see fig.). Ensure that iris is secured into its gate to avoid injuries to third parties in the event it comes out of its place.



## Power Lites Profile C5 ON

**WARNING! Before powering Lites Profile C5 ensure that all installation(s) procedure(s) have(s) been properly set learnt and accomplished.**

When Lites Profile C5 is powered the setup display will show the software release version. The UP, DOWN, ENTER and ESC buttons allow the operations of Lites Profile C5 menu. UP and DOWN buttons allow to browse through menu options, the ENTER button is to confirm selection. The ESC button is to return to the previous menu or to quit previous setting(s).

### Menu items

Displayed Message	Allowed or displayed values	Function	
<b>Addr</b>	001..508	Set Up DMX Address	
<b>Auto</b> (Automatic mode)	co01 co02 co03 co04 co05 co06 co07 co08 co09 co10 co11 co12 co13	Preset 1 red Preset 2 orange Preset 3 yellow Preset 4 c light green Preset 5 green Preset 6 cyan Preset 7 light blue Preset 8 blue Preset 9 dark blue Preset 10 fuchsia Preset 11 magenta Preset 12 white Preset 13 Amber	Values between co001 through co12 allow for fixed white set-up without DMX 512 protocol signal. When fixture is turned, the last selected preset will be held

	Pr01 Pr02 Pr03 Pr04 Pr05 Pr06 Pr07 Pr08	Program 1: auto Program 2 : auto Program 3: auto Program 4 : auto Program 5: auto Program 6 : auto Program 7: auto Program 8 : auto	Automatic mode without DMX 512 Protocol signal. Program selections run between Pr01 through Pr 08. Both programs can be modified. To change program select Enter then view (Scn0...Scn9; max scenes of each program). Clicking on enter once more it shows P.00.0 (time) followed by F.00.0 (speed) and ultimately the last view shows 1c.01... though c12 (colour to be assigned to each scene) The use of UP/Down keys allow for setting values. When selections are completed press enter to confirm
<b>MaSL</b>			Master Mode The Master Mode uses the same settings as the Auto Menu. The only exception is that when all fixtures are connected to DMX 001 in daisy-chain, they perform the same presets and or the same presets selected on the Master fixture
<b>Mode</b>	8 ch (D)	RGBAW 8 ch (default)	Dmx mode (view next page)
	2 ch	2 ch	
	14 ch	RGBAW 14 ch (16 bit)	
	5 ch	RGBAW 5 ch	
<b>drUt</b>	..°C	Shows driver operating temperature	
<b>LEdt</b>	..°C	Shows leds operating temperature	
<b>PUM</b>	0..100%	Shows current led power (0-100%)	
<b>SMOO</b>	FAST MED SLOW	DMX data Speed adjustment	
<b>GAMM</b>	LinE qUAd	Dimmer profile selection: - LinE for linear dimming regulation - qUAd for tungsten lamp emulation	
<b>FREQ</b>	1K 2K 3K 4K 5K 6K 7K 8K 9K 10K	LED operation frequency	
<b>booS</b>	Off on	When OFF, LED max flux : 80% When ON, LED max flux : 100%	
<b>FAn</b>	Aut MEDH MEDL LOW	4 fan operating modes i.e automatic, medium fast, medium slow, slow speed. Fan speed adjustments (fan-sound) reflect on self-correct output LED brightness and other factors as room-temperature, number of engaged channels	
<b>PoS</b>	AA VV	Display orientation selection: AA = normal VV = inverted	
<b>StbY</b>	Off on	Standby display activity: off = display always switched on = display switched off after few seconds of buttons inactivity (only the right side dot will be lighted to indicate DMX availability)	
<b>dEF</b>	Off on	ON Will restore the default factory values	
<b>SoFt</b>		Shows Software version	

### DMX Operating Modes (Mode)

Selecting 1 of the 4 available modes it enables the number of channels required, and its relevant modes, needed to operate Lites Profile C5

#### mode 8 ch RGBAWi (default)

Ch	Function	dmx levels	
1	red	0..255	From 0 to max 255
2	green	0..255	From 0 to max 255
3	blue	0..255	From 0 to max 255
4	white	0..255	From 0 to max 255
5	amber	0..255	From 0 to max 255
6	strobe	0...15	Strobo disengaged
		16...255	Strobo from slow (16) to fast (255)
7	Rainbow	0..15	Rainbow disengaged
		16..255	Rainbow from slow (16) to fast (255)
8	dimmer	0..255	From 0 to max 255

## mode 2 ch

Ch	Function	dmx levels	
1	Rainbow	0...15	OFF position
		16...141	Set colours from red (16) to... Magenta (141)
		142...190	Colori fissi da white (142) a ambra (190)
		191...246	From slow Rainbow (192) to fast (247) Sequence rainbow R-G-B-R-W-A-W
		247...255	white
2	dimmer	0..255	From 0 to max 255

## mode 14 ch RGBAW 16 bit

Ch	Function	dmx levels	
1	red	0..255	From 0 to max 255
2	Red fine	0..255	Red fine tune adjustment
3	green	0..255	From 0 to max 255
4	Green fine	0..255	Green fine tune adjustment
5	blue	0..255	From 0 to max 255
6	Blue fine	0..255	Blue fine tune adjustment
7	white	0..255	From 0 to max 255
8	White fine	0..255	white fine tune adjustment
9	Amber	0..255	From 0 to max 255
10	Amber fine	0..255	Ambrer fine tune adjustment
11	strobe	0...15	Strobe disingaged
		16...255	Strobo from slow (16) to fast (255)
12	Rainbow	0..15	Rainbow disingaged
		16..255	Rainbow from slow (16) to fast (255) rainbow R-G-B-R-W-A-W
13	dimmer	0..255	From 0 to max 255
14	Dimmer fine	0..255	Adjustment of global fine light intensity

## mode 5. ch RGBAW

Ch	Function	dmx levels	
1	red	0..255	From 0 to max 255
2	green	0..255	From 0 to max 255
3	blue	0..255	From 0 to max 255
4	white	0..255	From 0 to max 255
5	Amber	0..255	From 0 to max 255

## Error messages

In case of any malfunction, the following messages maybe be shown:

- HP Fan Error: means problems on 120 fan
- Temperature Error: LED sensor might be defective and or temperature has exceeded threshold limit

Should any of the above given messages occur, the LED will automatically switch off for protection. Refrain from and halt the use of the Lites Profile C5 and promptly contact any authorized service centre.

## Periodical maintenance

- To ensure the correct Lites Profile C5 operation, we suggest the following periodical maintenance operations:
- Remove dust or any kind of other dirt from the fans and from loop-holes, this operation ensures the correct air flow though vents of the projectors
- Remove dust from lenses using a clean cloth. This operation ensures the maximum light efficiency of the light profile
- Replace damaged protection screen and lenses when necessary

## **Do not touch nor clean the LED nor the yellow area around it with solvent**

### Device disposal information

At the end of its life, Lites Profile C5 must be disposed to an appropriate electrical and electronic equipment waste collection centre. Eco-friendly disposal helps to avoid possible negative impact on the environment and human health and promotes the re-use and/or recycling of the materials making up the product. Illegal disposal involves administrative sanctions provided by laws enacted.



Manufacture declines any sort of personal/corporate responsibility/liability for damages caused by the inadequate/misuse handling of the product as well as if the product has been handled by unqualified personnel. Not complying with security norms/periodical maintenance as expressed in the owner's/service manual will also totally free personal/corporate responsibility/liability.

Text, wordings, drawings, specifications, modifications and other changes of this manual may apply anytime without notice. The specifications are not binding.