

# Lites s.r.l.

for more information  
contact us  
info@litesrl.com

www.litesrl.com  
www.professionallighting.eu



## Lites Profile C5

Colour RGBWA



## SIMPLY LED TO INNOVATION

Lites Profile C5 **Colour RGBWA** is a sine qua non profile luminaire that integrates a five-colour-array pad to yield a countless colour palette.

The use of the Red Green Blue White and especially the Amber LED, permits white gamut between 3000°K to 5000°K.

Lites Profile C5 is a ground-breaking lprofile in traditional colour changers' domain because it replaces traditional tungsten bulbs and secures unwanted shades, providing seamless and colour consistency distribution stances across the illuminated areas.

The Lites Profile C5 is a low consumption luminaire as it draws no more than 170W and its brightness is comparable to traditional HPL tungsten lamps.

Lites Profile C5 is a flicker-free operation profile and accounts for the on-board display board for a 16 bit dimming with 2 selectable curves, simulating halogen or discharge lamp based fixtures; Lites Profile C5 installations can be juxtaposed with the use of favoured IN/OUT 5-pin XLR and power-con connectors and the ready RDM and or DMX Protocols do away with bulky dimmers and other accessories.


The low heat emission of the Lites Profile allows the use of instant gobos from standard printers, all beneficial perks that lift managements' expense-bills.

Additionally Lites Profile includes a double lens optics set with multiple anti-reflection coatings and shutters shape lights to neat and peerless contours.  
Product of Italy





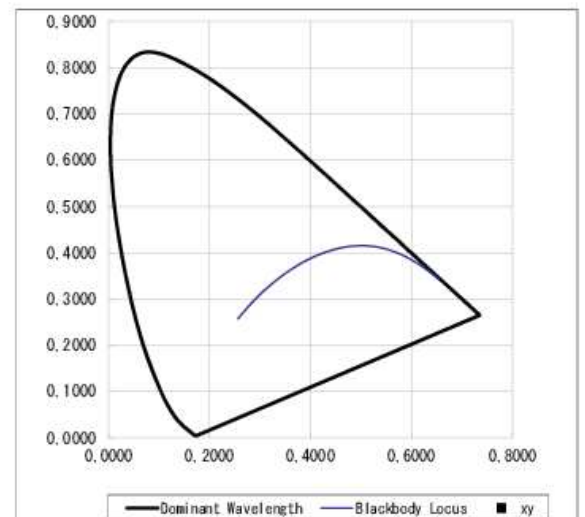
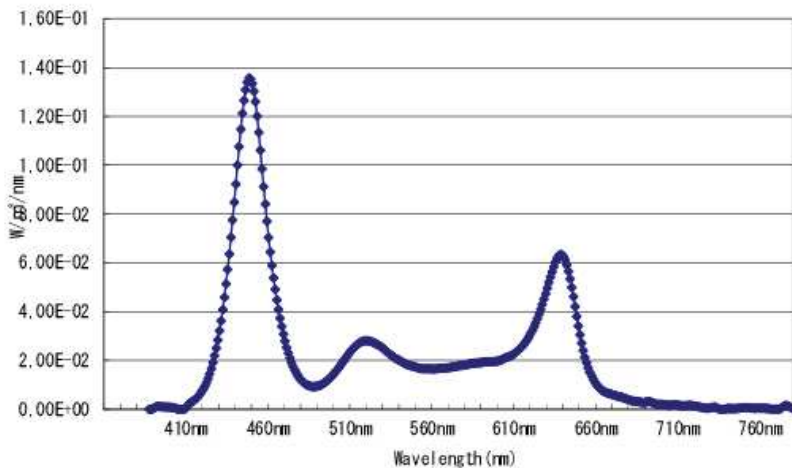
### Technical specifications

|   |                     |  |
|---|---------------------|--|
| Power Supply: 100 – 240V ~ 50/60Hz auto-setting (single-phase)                                  |                     | Minimum room temperature: -10°C                  |
| Maximum power consumption 170W  |                     | Maximum room temperature: 35°C                   |
| Stand-by power consumption 5W   |                     | Maximum body temperature: 60°C                   |
| Led life 50.000 Hrs (see manufacturer's specifications)   |                     |  |
| Available LED colour : 5-colour RGBWA led array (red, green, blue, white 5000°k, amber)         |                     |  |
| Selection of 19°, 26°, 36° objective lenses   |                     |  |
| Double lens optics with multiple anti-reflection coatings                                       |                     | Protection rating: IP20                          |
| Die-aluminium body to maximize heat dissipation   |                     | Working position: any                            |
| Data Protocols: DMX 512, and-or RDM ready   |                     | User's interface: 4-digit display and 4 keys     |
| Power connectors: IN – OUT neutrik power-con connectors   |                     | Data connectors: IN – OUT neutrik XRL 5          |
| Control of led frequency: selection of led frequency refresh                                    |                     | Idle fan mode for totally silent use of the unit |
| Dimming curves control: selection of two dimming curves control                                 |                     |  |
| Manual operations: via keys provided on the display   |                     | Colour-frame gate dimensions: 163x159 mm         |
| Unit net weight: 7,5 kg   | Gross weight 8,3 kg | Cubical volume: 0,0394 m <sup>3</sup>            |
| Accessories: Ø 86 mm B size gobo-holder (ø 66 mm image)   |                     | Accessories: Iris diaphragm                      |
| Compliant to:  |                     |  |

### Photometric data (all channels set to 100%)

Measurements carried out using LEDs arrays for a period of 30 minutes at 25°C room temperature. Data are informative and not binding

|           | Distance m   | 4 m  | 6 m  | 8 m  | 10 m | 12 m | 14 m |
|-----------|--------------|------|------|------|------|------|------|
| Angle 19° | Lux          | 2552 | 1134 | 638  | 408  | 284  | 208  |
|           | Diameter ø m | 1,20 | 1,8  | 2,40 | 3,0  | 3,6  | 4,2  |
| Angle 26° | Lux          | 1731 | 769  | 433  | 277  | 192  | 141  |
|           | Diameter ø m | 1,65 | 2,48 | 3,31 | 4,41 | 4,97 | 5,79 |
| Angle 36° | Lux          | 1077 | 478  | 269  | 172  | 120  | 88   |
|           | Diameter ø m | 2,32 | 3,48 | 4,64 | 5,81 | 6,97 | 8,13 |



# Lites s.r.l.

for more information  
contact us

[info@litesrl.com](mailto:info@litesrl.com)

[www.litesrl.com](http://www.litesrl.com)

[www.professionallighting.eu](http://www.professionallighting.eu)

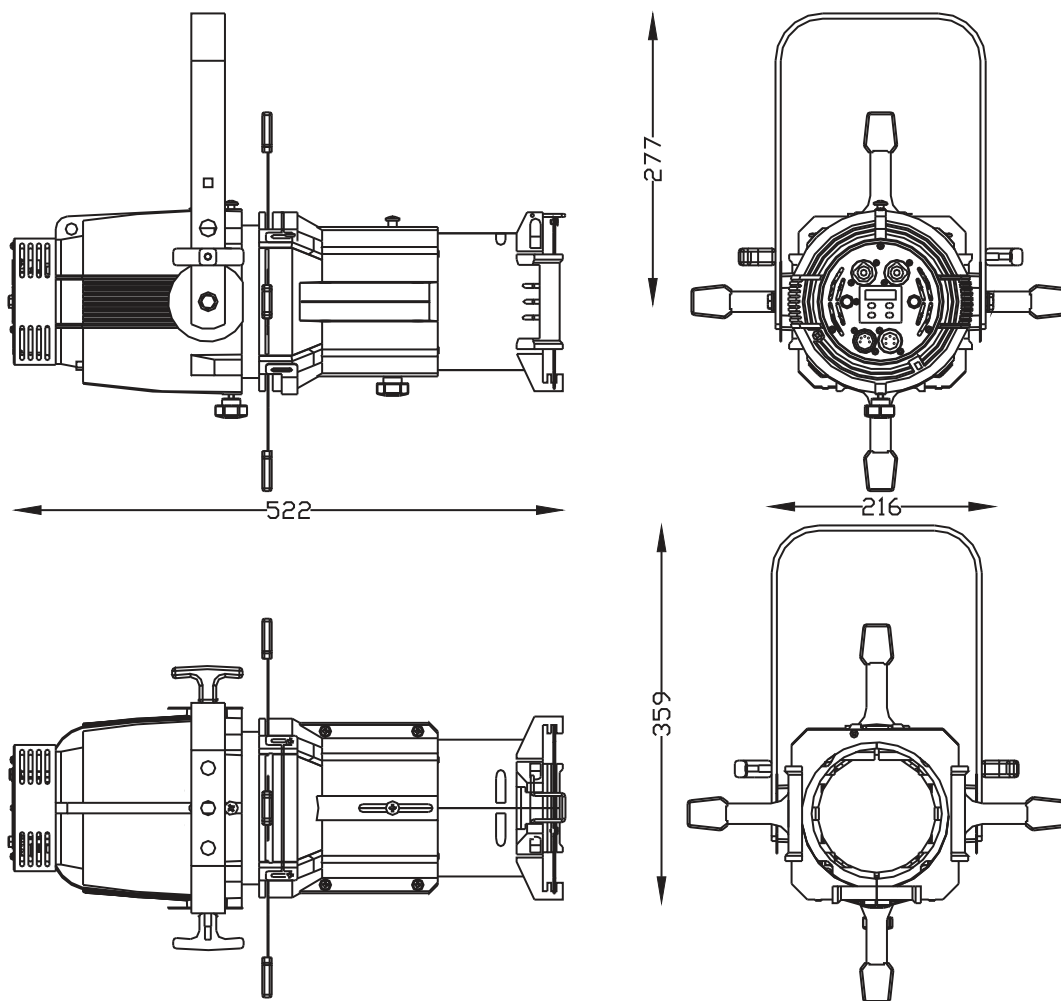


## Lites Profile C5

Colour RGBWA



Dimensions:



Data provided are informatory only and not binding. Values data and other information may be changed without notice.